

Product data sheet

Order No. 32915-041-30821

Recommended retail price



Recirculating air filter storage cabinet FX-PEGASUS-90 Model FX90.229.060.WDAC

Body colour anthracite grey (RAL 7016), with wing door in light grey (RAL 7035), interior equipment with 3 x tray shelf (stainless steel 1.4301), 1 x bottom collecting sump (stainless steel 1.4016)

Certification

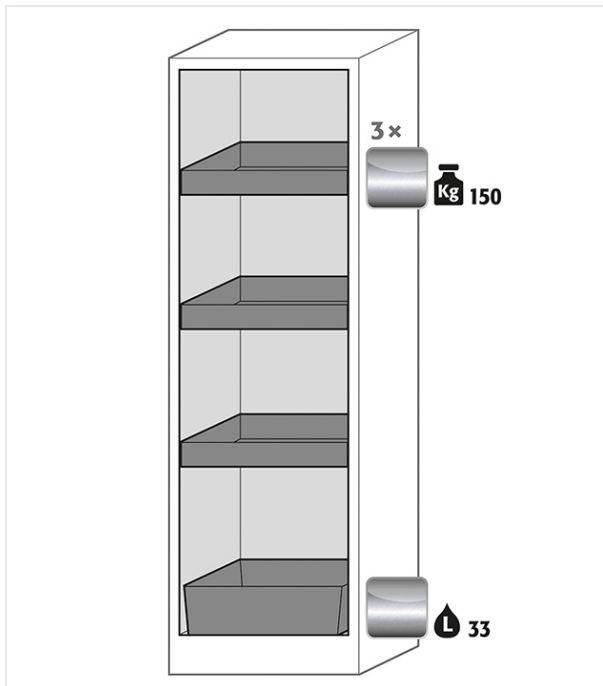
- Fire resistance 90 minutes
- type tested in accordance with EN 14470-1
- DIN EN 16121/16122 conformity
- GS certified
- CE compliant

Function / construction

- **Robust construction and longevity:** triple hinged door, safety elements assembled outside the storage compartment for increased protection against corrosion, scratch- and impact-resistant surface, easy to clean
- **User-friendly and safe:** door open arrest system (standard), convenient and safe removal or storage of containers
- **Always closed:** serial automatic door closing (TSA) releases arrested door after approx. 60 seconds; acoustic and visual signal before closing
- **No unauthorised use:** door lockable with cylinder locking (integration in an existing locking system possible) and locking state indicator (red/green)
- **Easy transport:** integrated transport base with removable, optional base cover
- **Easy alignment:** adjusting aids to compensate for uneven floor

Recirculating air filter module

- Ideal for the direct installation in working areas – very low noise, only approx. 39 dB (A)
- With multi-stage wideband filter
- Monitoring electronics for extraction and filtration incl. cool-device cable and power plug
- Optical and acoustical alarm including potential-free alarm contact
- Display with innovative touch panel
- ATEX compliant: C` II 3/-G Ex ic nA IIB T4 Gc



Suitable for storing the following hazardous substances:



Product data sheet

Technical Data

External dimensions W x D x H	599 x 615 x 2294 mm
Internal dimensions W x D x H	450 x 522 x 1647 mm
Depth with open doors	1,128.00 mm
Entry width transport base	526 mm
Entry height transport base	90 mm
Net weight configuration	335.00 kg
Fire resistance level	90 minutes
CE compliant	yes (1)
GS certified	yes (1)
According to standard	EN 14470-1
According to standard	EN 16121/16122
Automatic door closing system	yes (1)
Door open arrest system	yes (1)
Door opening angle	89.5 °
Nominal Power Consumption	120 W
Power consumption in standby mode	50 W
Maximum current consumption	0.5 A
Nominal voltage	230 V
Frequency	50 Hz
Number of storage levels	3 piece
Max. load of shelves	150.00 kg
Capacity of bottom collecting sump	22.00 litres
ecl@ss 14.0	40-06-01-09
UNSPSC code	24112402
Customs tariff number	94032080
GTIN	4054923107380

[To the product finder](#)
[To the flip catalogue](#)
[To asecos.com](#)

